

## DESCRIPTION

Designed for wall and ceiling applications, this fire-rated Insulated Access Door is UL and Warnock-Hersey listed. Engineered with mineral fiber to assist in reducing heat transfer in the event of a fire.

## FEATURES

- Fire-Rated
- Self-Closing
- Wall Installation Only
- Custom Sizing

## SPECIFICATIONS

DOOR: 14 gauge Steel, Self-Closing

FRAME: 16 gauge Steel

### SIZE:

Min: 6 inches by 6 inches  
 UT: Max: 24 inches by 72 inches or 48 inches by 48 inches  
 UW/UP: Max: 36 inches by 48 inches

INSTALLATION: Ceiling or Wall

FLANGE: 1 inch Exposed, Drywall Bead or Plaster Bead

### HINGE:

UT: Flush Continuous Piano  
 UW/UP: Concealed Pin

### CERTIFICATION:

- UL listed "B" label for 1-1/2 hours (Wall)
- Warnock-Hersey listed for 3 hours (Ceiling)

FINISH: White Powder Coat

WARRANTY: 1 year

OPTIONS: Flanges, Latches, Materials, Gaskets, Anchors



SKU: **NUTK**

**UNINSULATED FIRE RATED ACCESS DOOR**

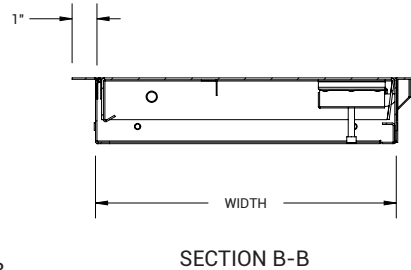
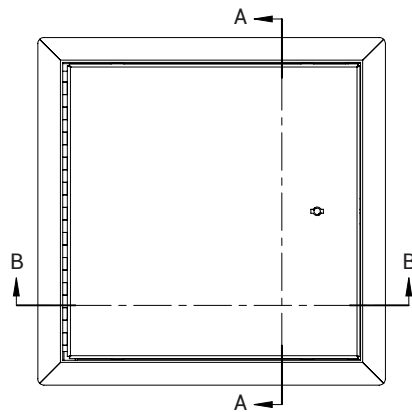
## DIMENSIONS AND APPEARANCE

>> CLICK TO VIEW ADDITIONAL DETAILS AND PRICING <<

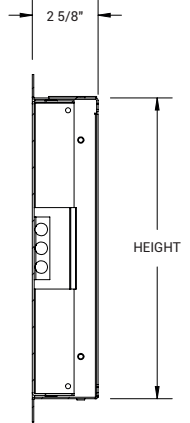
### ORDER GUIDE:

BASE	FLANGE	LATCH	WIDTH	X	LENGTH	OPTIONS
NU						
	T 1 inch Flange	K Knurled Knob / Key Operated Latch Bolt	STANDARD SIZES (W X L)			B Galvannealed
	W Drywall Bead	M Mortise Lock (1-1/8") Prep	8" X 8"	18" X 18"	24" X 30"	G Gasketing
	P Plaster Bead		10" X 10"	18" X 24"	24" X 36"	M Masonry Anchors
			12" X 12"	20" X 30"	24" X 48"	S Type 304 Stainless Steel
			12" X 18"	22" X 22"	30" X 30"	
			12" X 24"	22" X 30"	32" X 32"	
			14" X 14"	22" X 36"	36" X 36"	
			16" X 16"	24" X 24"	36" X 48"	

Rough opening is door size + 1/4 inch minimum. Additional sizes available, call for more information.



FOR DETAILED SPECIFICATIONS SEE SUBMITTAL SHEET



SECTION A-A

## PROJECT DATA

Custom Sizes Available - Fast!

PROJECT NAME :	QTY	W	H	OPTIONS
ARCHITECT :				
DEALER :				
CONTRACTOR :				
LOCATION :	SPECIAL INSTRUCTIONS :			
DATE :				
TAGGING INSTRUCTIONS :	SUBMITTAL APPROVAL : (signature or stamp)			

Scan or Click



To view Pricing and Additional Product Info.

TELEPHONE:  
1-888-457-1275  
FAX:  
1-888-626-2907



PO BOX 66738 #76520,  
SAINT LOUIS, MO  
63166-6738  
USA

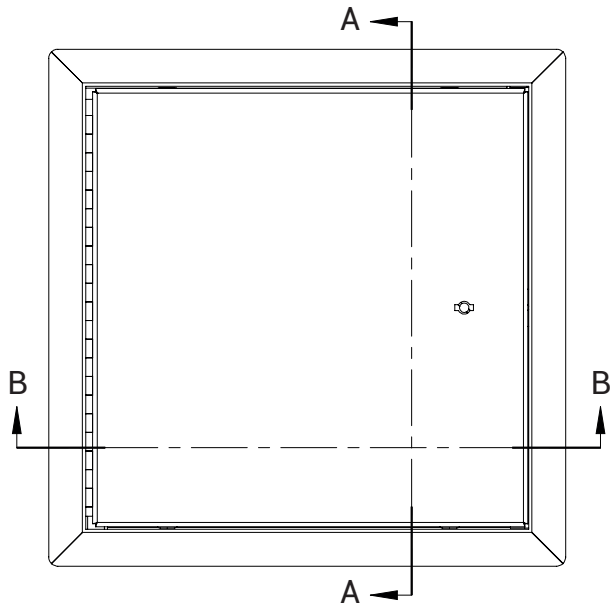


WEBSITE:  
www.AccessDoorsAndPanels.com  
E-MAIL:  
info@AccessDoorsAndPanels.com



# N UTK

# UNINSULATED FIRE-RATED SECURITY ACCESS DOOR



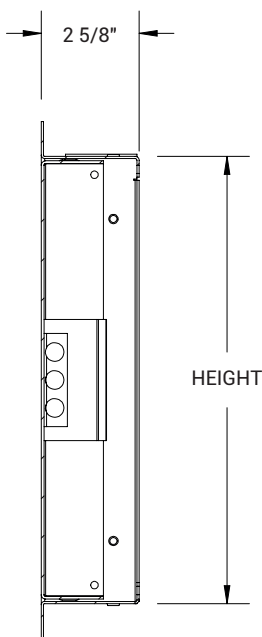
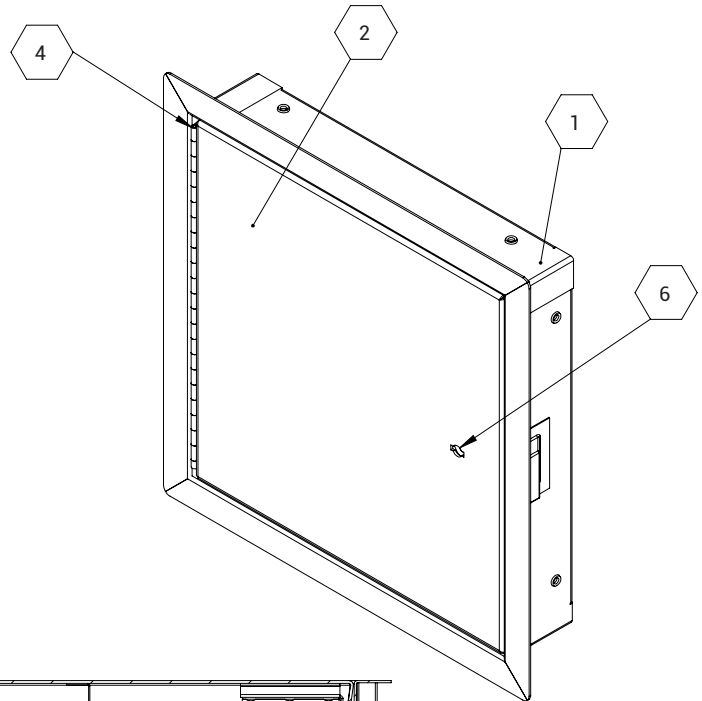
**NOTES:**

- ① FRAME:
- ② DOOR: Cold Rolled Steel, 14 ga
- ③ FINISH: White Powder Coat
- ④ HINGE:
- ⑤ SECONDARY LATCH: Varies
- ⑥ LOCK: Knurled Knob/Keyed Slam Latch

**OPTIONS:**

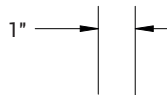
- Drip Cap (C)
- Gasket Installed (G)
- Masonry Anchors (M)

ROUGH OPENING: W + 0.25" X H + 0.25"  
CLEAR OPENING: W - 2.375" X H - 1.125"  
DEGREE OF OPENING: 125°



SECTION A-A

VERTICAL  
1-1/2 HOUR "B" LABEL



SECTION B-B



# N UTK

# UNINSULATED FIRE-RATED SECURITY ACCESS DOOR

